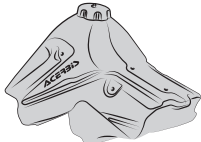


## FUEL TANK HONDA CRF 450 12 LT

### SERBATOIO HONDA CRF 450 12 LT

COD. 500000515 REV.4

#### ACERBIS PARTS



**A - (1 pcs)**

#### OEM PARTS



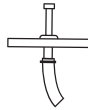
**B - (1 pcs)**



**M - (1 pcs)**



**C - (1 pcs)**



**D - (1 pcs)**



**E - (2 pcs)**



**F - (1 pcs)**



**G - (1 pcs)**



**H - (1 pcs)**



**I - (1 pcs)**



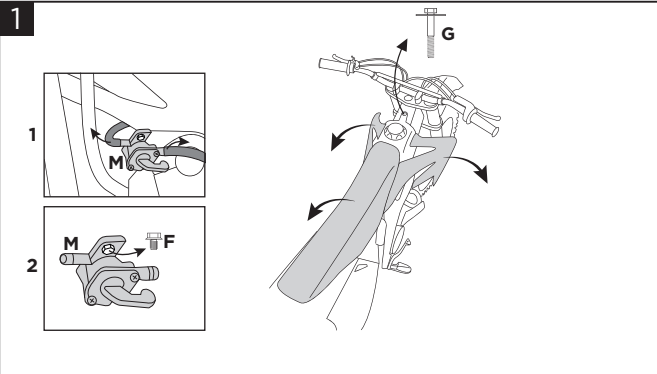
**L - (1 pcs)**

#### WARNING



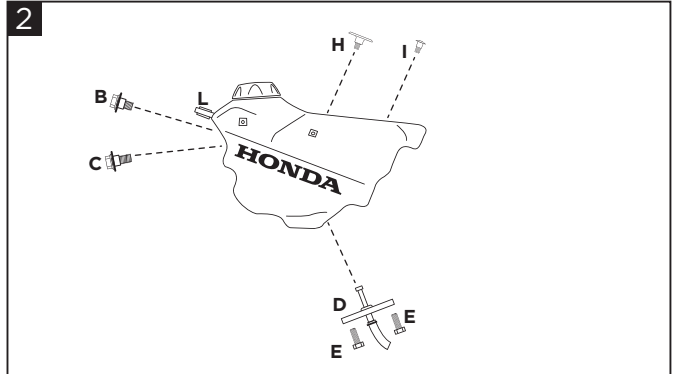
Durante il rimontaggio suggeriamo vivamente di utilizzare un grasso anti-grippante sulle viti che entrano negli inserti in metallo.

Highly suggest to use anti-seize/grease lubricant on all bolt threads going into the tank's metal inserts when reinstalling.

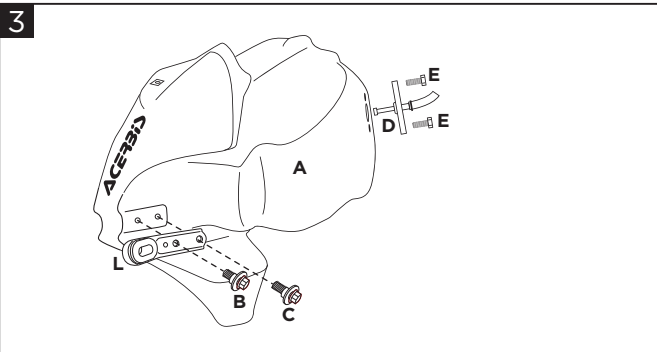


**1**  
Remove the seat and the radiator side panels. Unscrew the screw and washer (G), release the original elastic, disconnect the petrol pipes and remove the tank. Unscrew the screw (F) and remove the original tap (M).

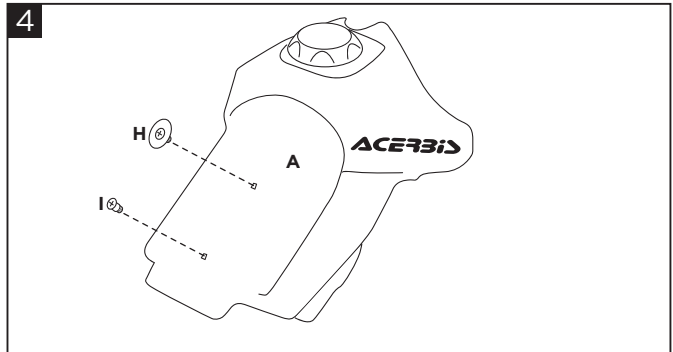
Rimuovere la sella ed i fianchetti radiatore. Svitare la vite e rondella (G), sganciare l'elastico originale, sconnettere i tubi benzina e rimuovere il serbatoio. Svitare la vite (F) e rimuovere il rubinetto originale (M).



**2**  
Remove the bracket (L) from the original tank through the screws (B) and (C), the connector (D) through the two screws (E) and finally the seat fixing screw (H) and elastic hook fixing screw (I). Rimuovere dal serbatoio originale la staffa (L) tramite le viti (B) e (C), il connettore (D) tramite le due viti (E) ed infine la vite fissaggio sella (H) e vite fissaggio gancio elastico (I).



**3**  
Reassemble the bracket (L) on the Acerbis fuel tank (A) using the screws (B) and (C) and the connector (D) using the two screws (E). Rimontare sul serbatoio Acerbis (A) la staffa (L) tramite le viti (B) e (C) ed il connettore (D) tramite le due viti (E).



**4**  
Reassemble the seat fixing screw (H) and elastic hook fixing screw (I) on the Acerbis fuel tank (A). Rimontare sul serbatoio Acerbis (A) la vite fissaggio sella (H) e vite fissaggio gancio elastico (I).

#### WARNING!

It is EXTREMELY IMPORTANT that the fuel tank is properly installed. To ensure proper installation, it is STRONGLY RECOMMENDED that the tank is installed only by a qualified OEM licensed dealership mechanic. Improper installation could result in serious injuries or death.

If self-installed NOTE THE FOLLOWING: particular attention must be paid to excessive fuel line length and fuel line proximity to hot engine areas and pipes to prevent fire.

Clean tank interior thoroughly before installation. Install this fuel tank only in a well ventilated area, as gasoline fumes are extremely dangerous. Do not start or operate the vehicle if there are any fuel leaks! Read all instructions first before beginning installation.

Acerbis recommends that installation must be done by a licensed mechanic and that only Acerbis' original parts are used during installation. Acerbis makes no guarantees or representations, express or implied, regarding the fitment of its product for any particular purpose. Acerbis makes no guarantees or representations, express or implied, regarding the extent to which its products protect individuals or property from injury or death or damage.

#### EUROPE

ACERBIS ITALIA S.P.A.  
VIA SERIO, 37  
24021 ALBINO (BG)  
ITALY

#### U.S.A.

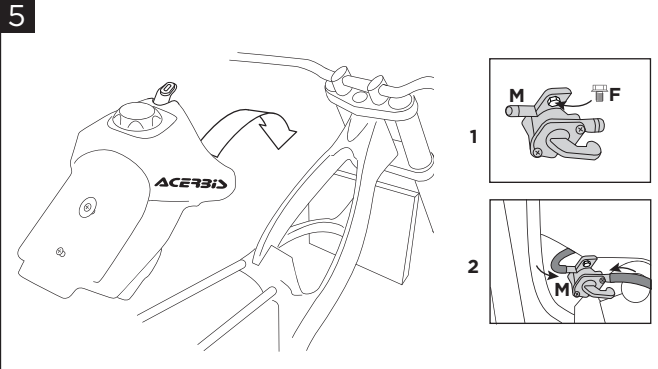
ACERBIS U.S.A. INC.  
MAIL P.O. BOX 2030  
SUN VALLEY, ID 83353  
SHIP 110 LINDAY CIRCLE  
KETCHUM, ID 83340  
U.S.A.

#### UNITED KINGDOM

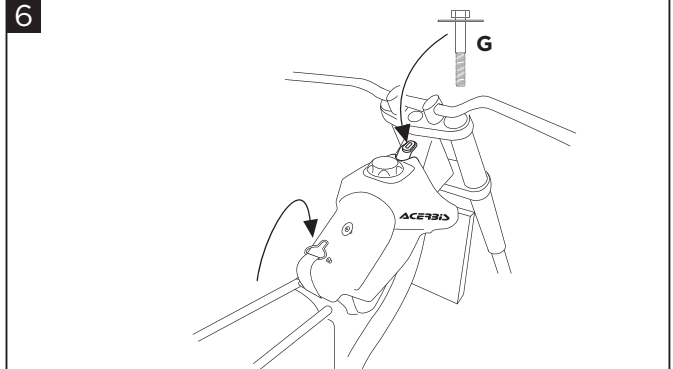
ACERBIS U.K LTD  
UNIT 4 DUNFERMLINE COURT,  
KINGSTON, MILTON KEYNES  
MK10 0BY  
GREAT BRITAIN

## FUEL TANK HONDA CRF 450 12 LT SERBATOIO HONDA CRF 450 12 LT

COD. 500000515 REV.4



**Mount the tap (M) using the screw (F) on the Acerbis fuel tank (A) and place it on the bike.**  
Montare il rubinetto (M) tramite la vite (F) sul serbatoio Acerbis (A) e posizionarlo sulla moto.



**Fix the tank using the original elastic band and block it using the screw and washer (G) in the bracket (L). Finally insert the petrol pipes.**  
Fissare il serbatoio tramite l'elastico originale e bloccarlo tramite la vite e rondella (G) nella staffa (L). Infine inserire i tubi benzina.

### DISCLAIMER

Due to uncontrolled variables in the manufacturing process of rotational molded fuel tanks, the fuel tank may vary in size and shape by up to 7% of the manufacturer's original listed capacity.

### LIBERATORIA

A causa di variabili inponderabili nel processo di stampaggio rotazionale dei serbatoi, questi possono differire in forma e dimensioni fino al 7% rispetto alla capacità dichiarata.

### FOR COMPETITION USE ONLY - SOLO PER USO MOTOCICLISTICO

### WARNING!

It is **EXTREMELY IMPORTANT** that the fuel tank is properly installed. To ensure proper installation, it is **STRONGLY RECOMMENDED** that the tank is installed only by a qualified OEM licensed dealership mechanic. Improper installation could result in serious injuries or death.

If self-installed **NOTE THE FOLLOWING**: particular attention must be paid to excessive fuel line length and fuel line proximity to hot engine areas and pipes to prevent fire.

Clean tank interior thoroughly before installation. Install this fuel tank only in a well ventilated area, as gasoline fumes are extremely dangerous. Do not start or operate the vehicle if there are any fuel leaks! Read all instructions first before beginning installation.

Acerbis recommends that installation must be done by a licensed mechanic and that only Acerbis' original parts are used during installation. Acerbis makes no guarantees or representations, express or implied, regarding the fitment of its product for any particular purpose. Acerbis makes no guarantees or representations, express or implied, regarding the extent to which its products protect individuals or property from injury or death or damage.

#### EUROPE

ACERBIS ITALIA S.P.A.  
VIA SERIO, 37  
24021 ALBINO (BG)  
ITALY

#### U.S.A.

ACERBIS U.S.A. INC.  
MAIL P.O. BOX 2030  
SUN VALLEY, ID 83353  
SHIP 110 LINDAY CIRCLE  
KETCHUM, ID 83340  
U.S.A.

#### UNITED KINGDOM

ACERBIS U.K LTD  
UNIT 4 DUNFERMLINE COURT,  
KINGSTON, MILTON KEYNES  
MK10 0BY  
GREAT BRITAIN